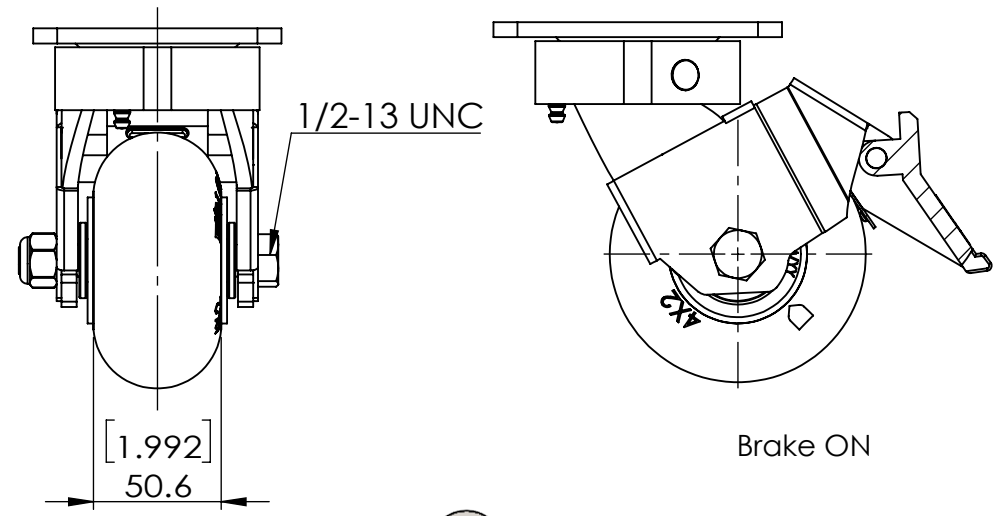
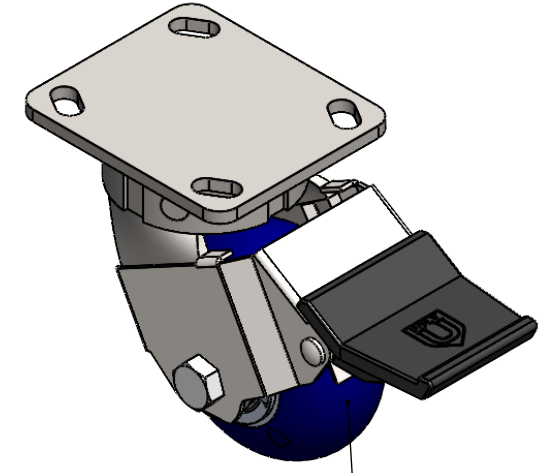
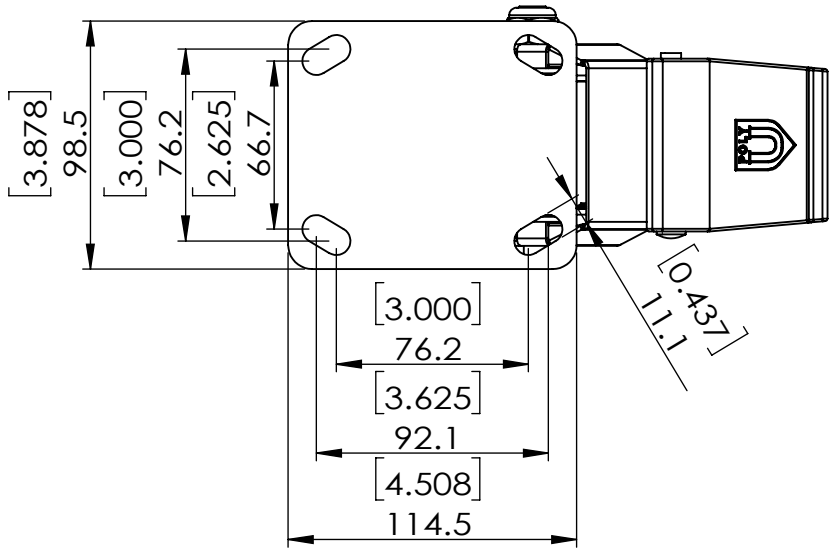


Brake OFF



Brake ON



Durometer: Shore A87 (+/-5)
Wheel P/N: W850420UB1

Dimensions in mm [in]

P&H Casters		Scale: 1:3	Weight (lbs): 6.1	Drawn By: Hua	Date: 2024/3/22
Description: CASTER				Reviewed By: Andy	
Part Number: X50P34280UL1Z	Revision: REV A	Sheet: 01	Date: 2024/3/22	FIRST ANGLE PROJECTION	