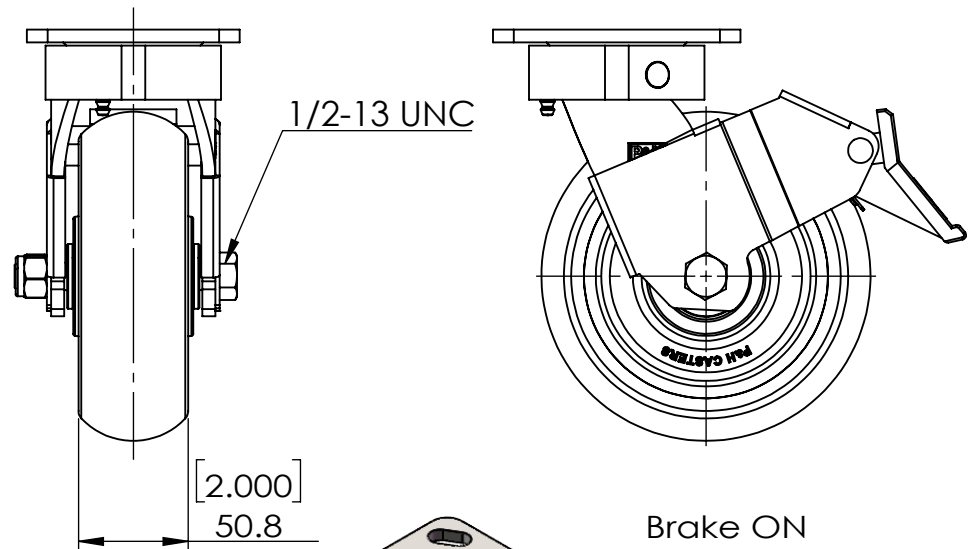
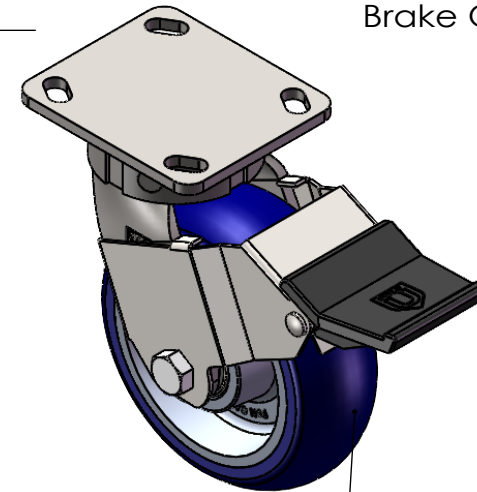
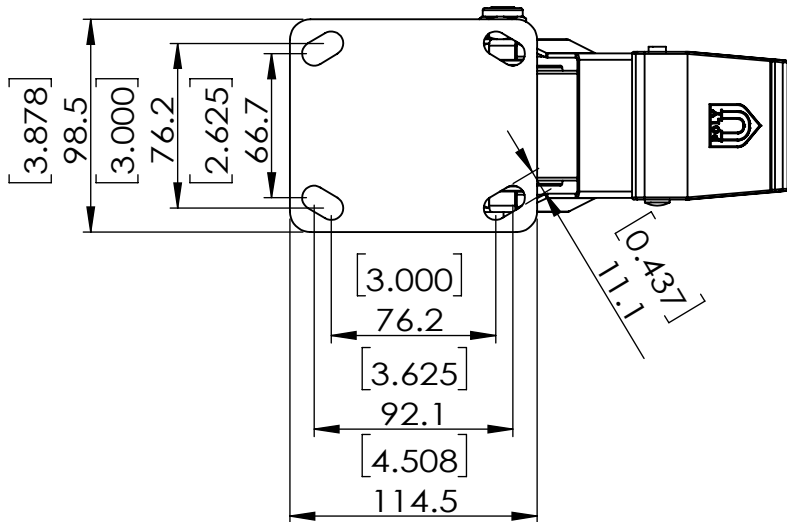


Brake OFF



Brake ON



Durometer: Shore A87 (+/-5)  
 Wheel P/N: W850620UB1

Load capacity: 800 lbs

Dimensions in mm [ in ]

<b>P&amp;H Casters</b>	Scale: <b>1:3.5</b>	Weight ( lbs): <b>7.7</b>	Drawn By: <b>Hua</b>	Date: <b>2024/3/21</b>
Description: <b>CASTER</b>			Reviewed By: <b>Andy</b>	 <small>FIRST ANGLE PROJECTION</small>
Part Number: <b>X50P36280UL1Z</b>	Revision: <b>REV A</b>	Sheet: <b>01</b>	Date: <b>2024/3/21</b>	