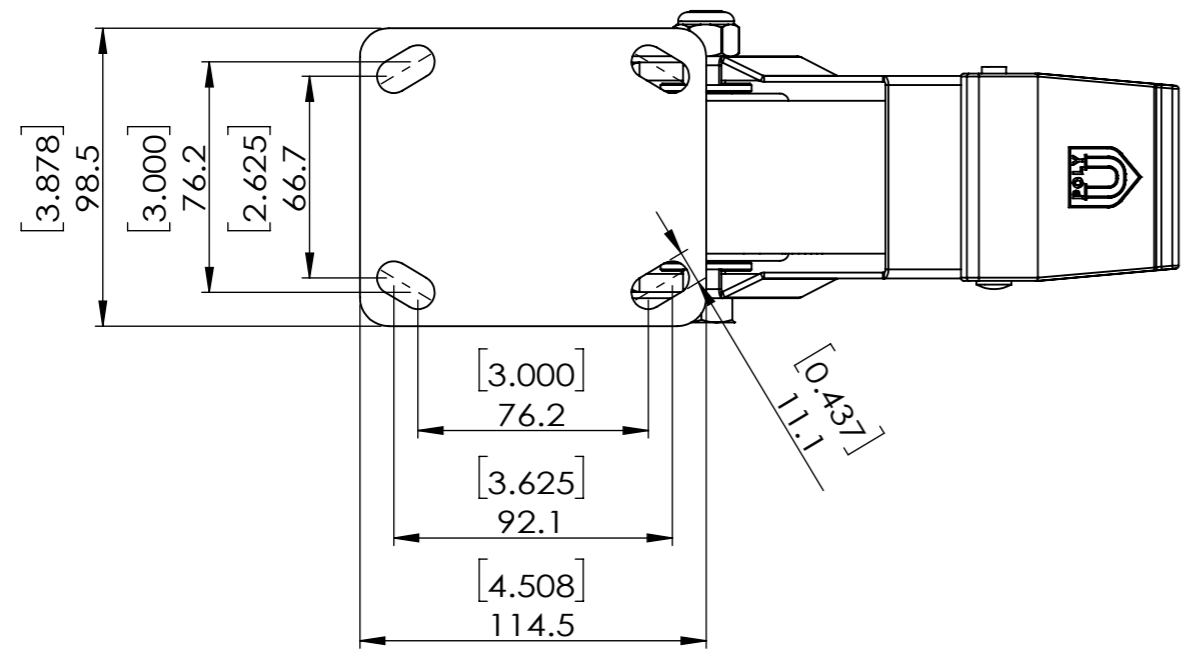


Durometer: Shore A87 (+/-5)
 Wheel P/N: W850620UB1



Dimensions in mm [in]

P&H Casters		Scale	1:2.5	Weight (lbs):	10.2	Drawn By:	Hua	Date	2024/3/22
Description		CASTER			Reviewed By:	Andy			
Part Number	Revision	Sheet	01	Date	2024/3/22				
X50P38280UL1Z REV A									