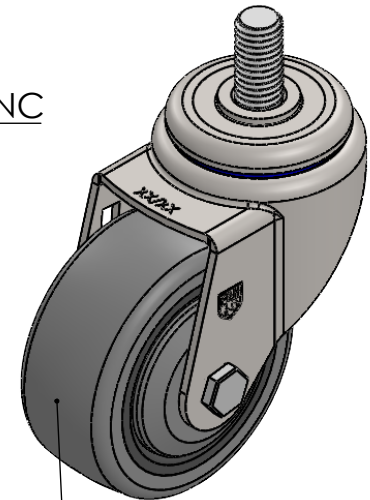
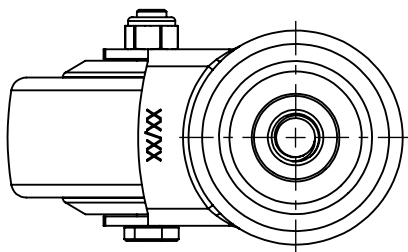


5/16-18 UNC



Durometer: Shore A70 (+/-5)
Wheel P/N: WN2034ED



Load capacity: 150 lbs

Dimensions in mm [in]

P&H Casters	Scale:	Weight (lbs):	Drawn By:	Date:
	1:2	1.2	Hua	2023/11/29
Description:			Reviewed By:	
CASTER			Andy	
Part Number:	Revision:	Sheet:	Date:	
Z20AE34NEDE	REV A	01	2023/11/29	