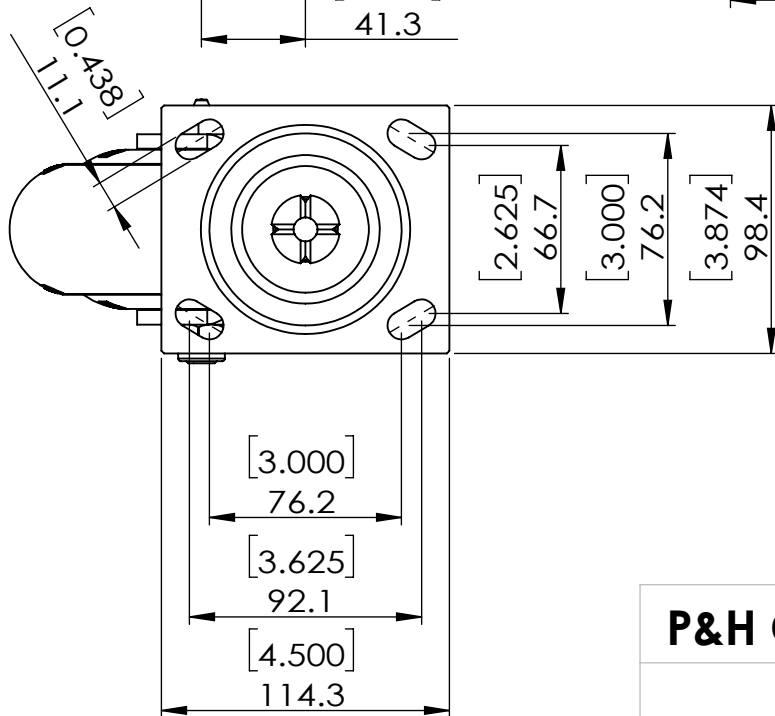


Durometer: Shore A70 (+/-5)  
 Wheel P/N: WK4062G86



Load capacity: 1000 lbs    Dimensions in mm [ in ]

<b>P&amp;H Casters</b>	Scale: <b>1:3</b>	Weight ( lbs ): 5.1	Drawn By: Ronny	Date: 2024/03/12
Description: CASTER			Reviewed By: Andy	 <small>FIRST ANGLE PROJECTION</small>
Part Number: N40P362KGNZGL	Revision: REV A	Sheet: <b>01</b>	Date: 2024/03/12	