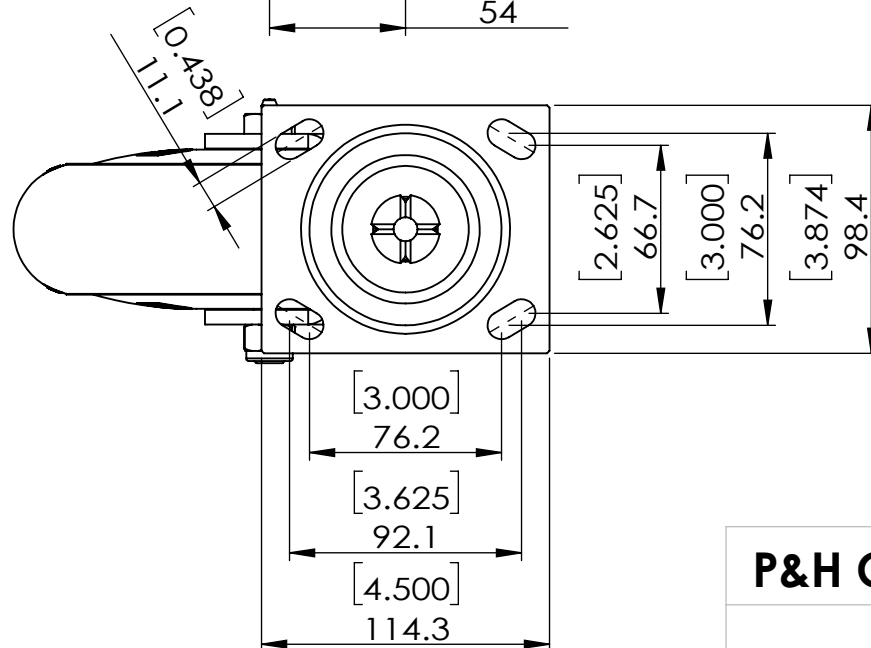



Durometer: Shore A70 (+/-5)
 Wheel P/N: WK4082G86



Load capacity: 1200 lbs Dimensions in mm [in]

P&H Casters	Scale: 1:3	Weight (lbs): 6	Drawn By: Ronny	Date: 2024/03/12
Description: CASTER			Reviewed By: Andy	 <small>FIRST ANGLE PROJECTION</small>
Part Number: N40P382KGNZGL	Revision: REV A	Sheet: 01	Date: 2024/03/12	