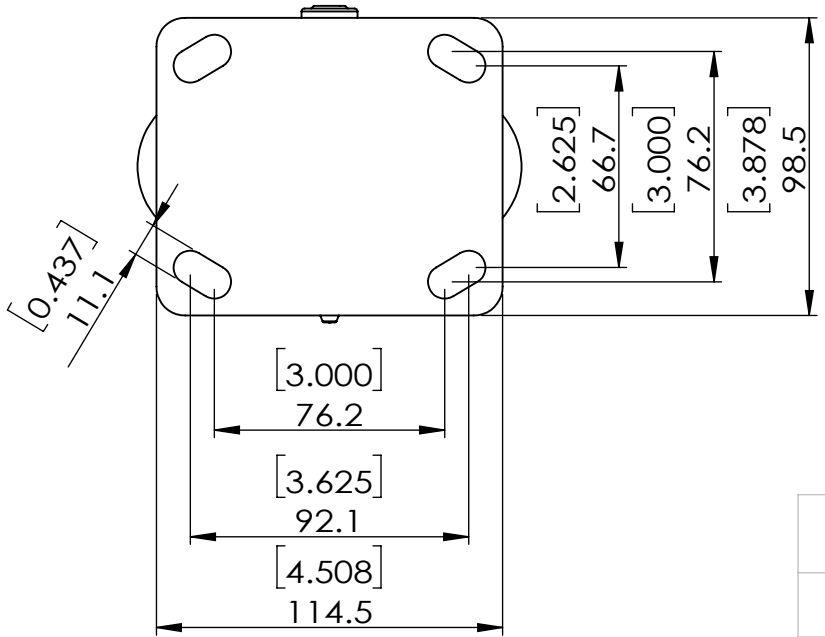
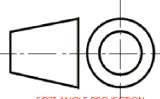


Durometer: Shore A70 (+/-5)  
 Wheel P/N: WK4052G86



Load capacity: 800 lbs      Dimensions in mm [ in ]

|                        |              |                |              |   |
|------------------------|--------------|----------------|--------------|---|
| <b>P&amp;H Casters</b> | Scale:       | Weight ( lbs): | Drawn By:    | Date:   |
|                        | <b>1:2.5</b> | 3.3            | Hua          | 2024/3/13   |
| Description:           |              |                | Reviewed By: | <br>FIRST ANGLE PROJECTION |
| CASTER                 |              |                | Andy         |   |
| Part Number:           | Revision:    | Sheet:         | Date:        |   |
| N42P352KGNZGL          | REV A        | <b>01</b>      | 2024/3/13    |   |