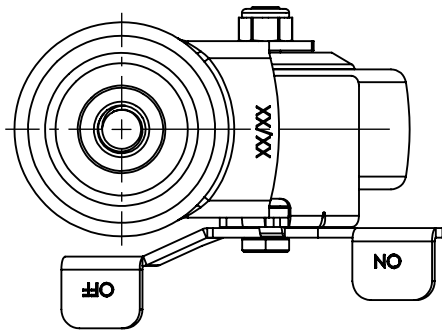


Durometer: Shore A70 (+/-5)  
 Wheel P/N: WN2034ED



Load capacity: 150 lbs

Dimensions in mm [ in ]

<b>P&amp;H Casters</b>	Scale:	Weight ( lbs):	Drawn By:	Date:
	<b>1:2</b>	1.4	Hua	2023/11/29
Description:			Reviewed By:	
CASTER			Andy	
Part Number:	Revision:	Sheet:	Date:	
Z20AE34NEDEB	REV A	<b>01</b>	2023/11/29	