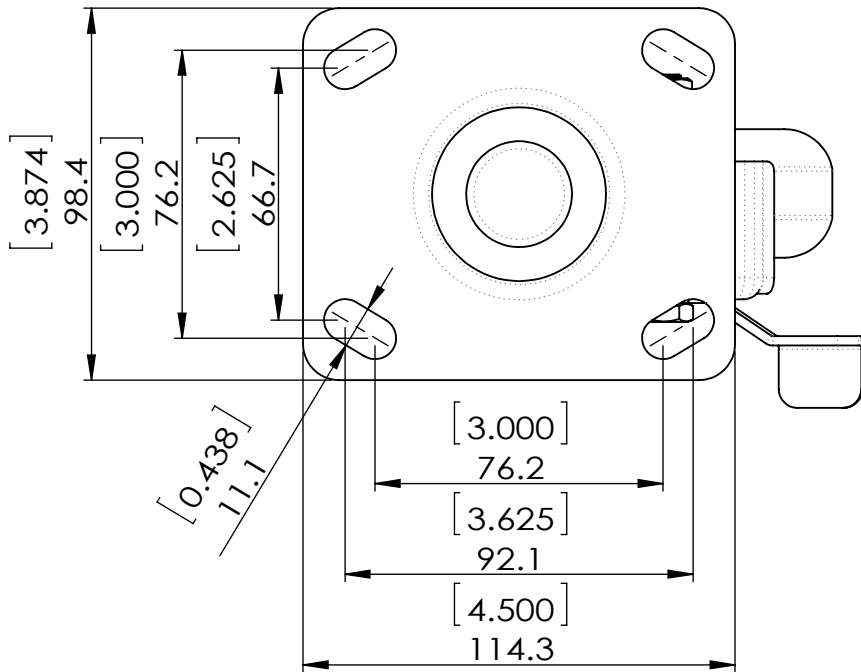


Durometer: Shore D70 (+/-5)  
Wheel P/N: W02073AKU0



Dimensions in mm [ in ]

<b>P&amp;H Casters</b>	Scale: <b>1:2</b>	Weight ( lbs ): 2.36931	Drawn By: Ronny	Date: 2023/10/23
Description: CASTER			Reviewed By: Andy	 FIRST ANGLE PROJECTION
Part Number: T26P373RAKJFS	Revision: REV A	Sheet: <b>01</b>	Date: 2023/10/23	