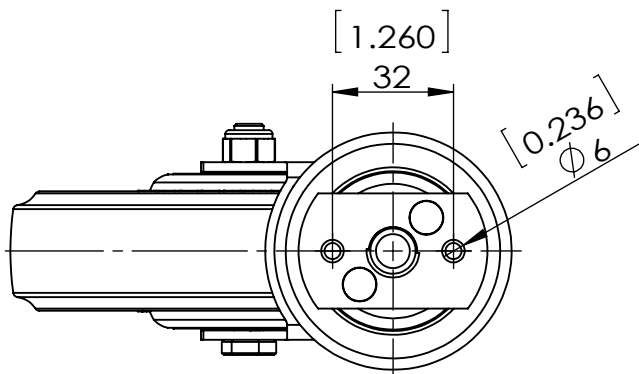


Durometer: Shore D 46 (+/-5)



Dimensions in mm [ in ]

<b>P&amp;H Casters</b>		Scale <b>1:2</b>	Volume ( mm <sup>3</sup> )	Drawn By: <b>Ronny</b>	Date <b>2023/08/28</b>
Description <b>CASTER</b>				Reviewed By: <b>Andy</b>	 <small>FIRST ANGLE PROJECTION</small>
Part Number <b>X31A154CLDEXB REV A</b>	Revision	Sheet <b>01</b>	Date <b>2023/08/28</b>		