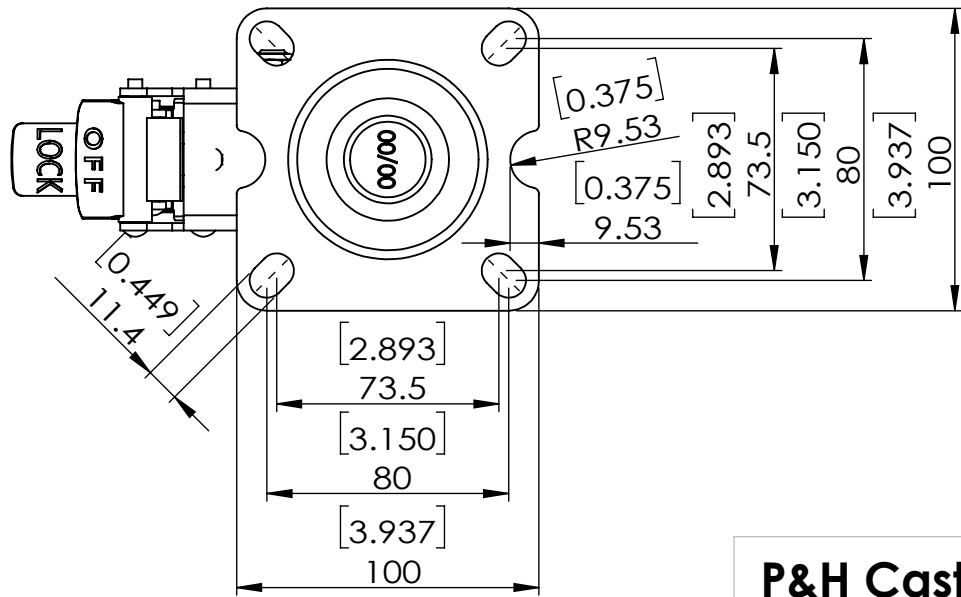


Yellow dot
 Durometer: Shore A86 (+/-5)
 Wheel P/N: W6265HTKD0



Load capacity: 250 lbs Dimensions in mm [in]

P&H Casters	Scale:	Weight (lbs):	Drawn By:	Date:
	1:2.5	2.8	Hua	2024/7/9
Description:			Reviewed By:	
CASTER			Andy	
Part Number:	Revision:	Sheet:	Date:	
Z26M654NTKIDX	REV A	01	2024/7/9	