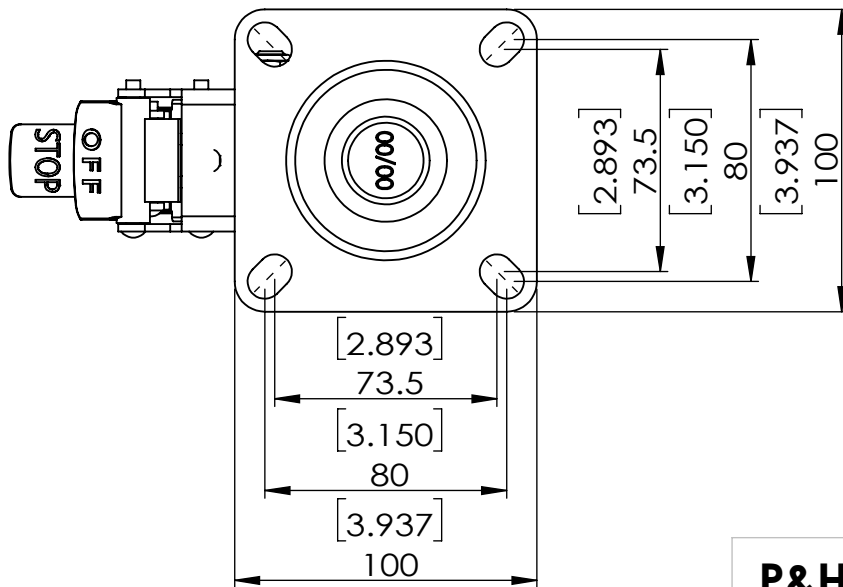


Durometer: Shore A86 (+/-5)  
Wheel P/N: W6265HTKN



Load capacity: 250 lbs    Dimensions in mm [ in ]

<b>P&amp;H Casters</b>	Scale: <b>1:2.5</b>	Weight ( lbs): 2.9	Drawn By: Hua	Date: 2024/01/08
Description: CASTER			Reviewed By: Andy	
Part Number: Z26M654NTKILD	Revision: REV A	Sheet: <b>01</b>	Date: 2024/01/08	