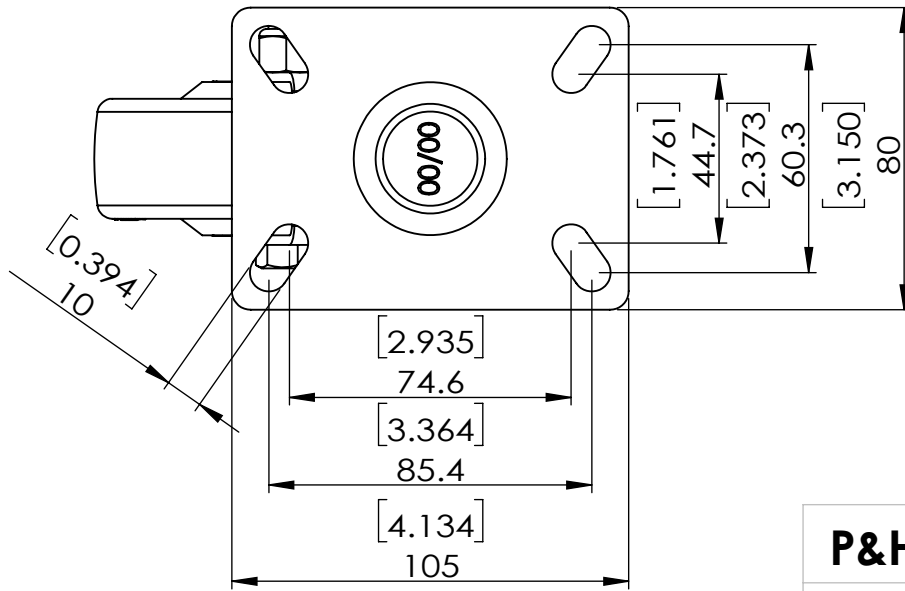


Durometer: Shore A70 (+/-5)
Wheel P/N: WN2644EK



Load capacity: 250 lbs

Dimensions in mm [in]

P&H Casters	Scale: 1:2	Weight (lbs): 1.9	Drawn By: Hua	Date: 2024/4/12
Description: CASTER			Reviewed By: Andy	
Part Number: Z26P244NEKIKS	Revision: REV A	Sheet: 01	Date: 2024/4/12	