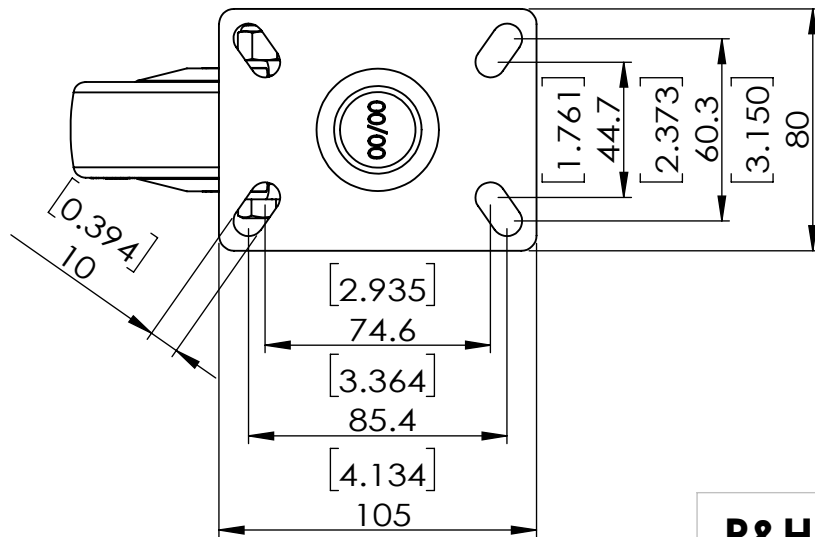
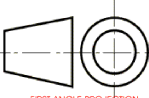


Durometer: Shore A70 (+/-5)
Wheel P/N: WN2654EK



Load capacity: 300 lbs

Dimensions in mm [in]

P&H Casters	Scale: 1:2.5	Weight (lbs): 2.4	Drawn By: Hua	Date: 2024/4/12
Description: CASTER			Reviewed By: Andy	 FIRST ANGLE PROJECTION
Part Number: Z26P254NEKIKS	Revision: REV A	Sheet: 01	Date: 2024/4/12	