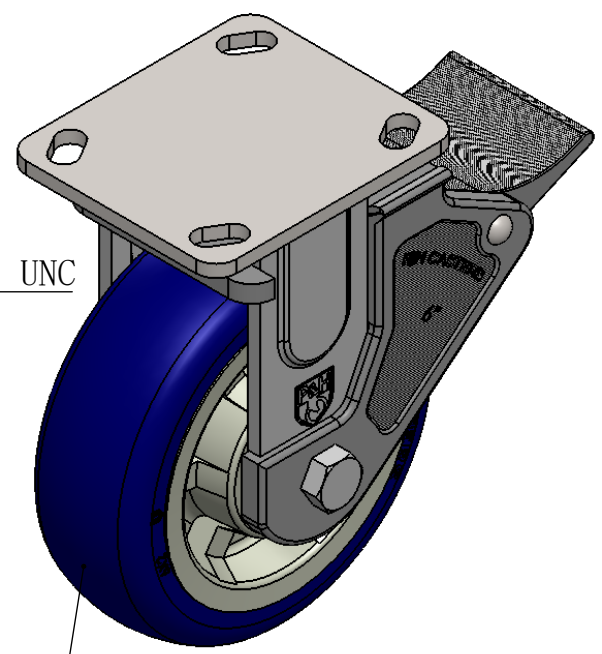


1/2-13 UNC



Durometer: Shore D46 (+/-5)

Dimensions in mm [in]

P&H Casters		Scale	1:2.5	Volume (mm ³)	Drawn By:	Date
Description		CASTER		Reviewed By:		
Part Number	Revision	Sheet	01	Date		
Z42P362CLPLT	REV A			2023/10/16		
					Hua	2023/10/16
					Andy	

