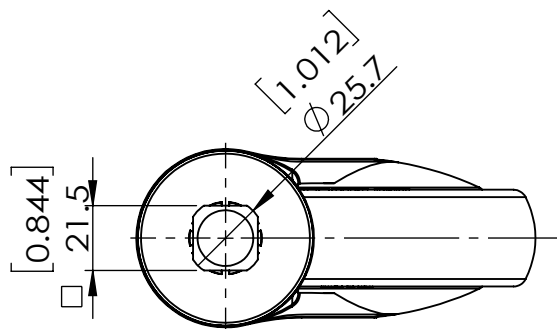


Durometer: Shore A85 (+/-5)
 Wheel P/N: W620DBG3B2



Dimensions in mm [in]

P&H Casters	Scale: 1:2.5	Weight (lbs): 1.2	Drawn By: Ronny	Date: 2024/9/5
Description: CASTER			Reviewed By: Andy	 <small>FIRST ANGLE PROJECTION</small>
Part Number: P25S5DB6G3X	Revision: REV A	Sheet: 01	Date: 2024/9/5	