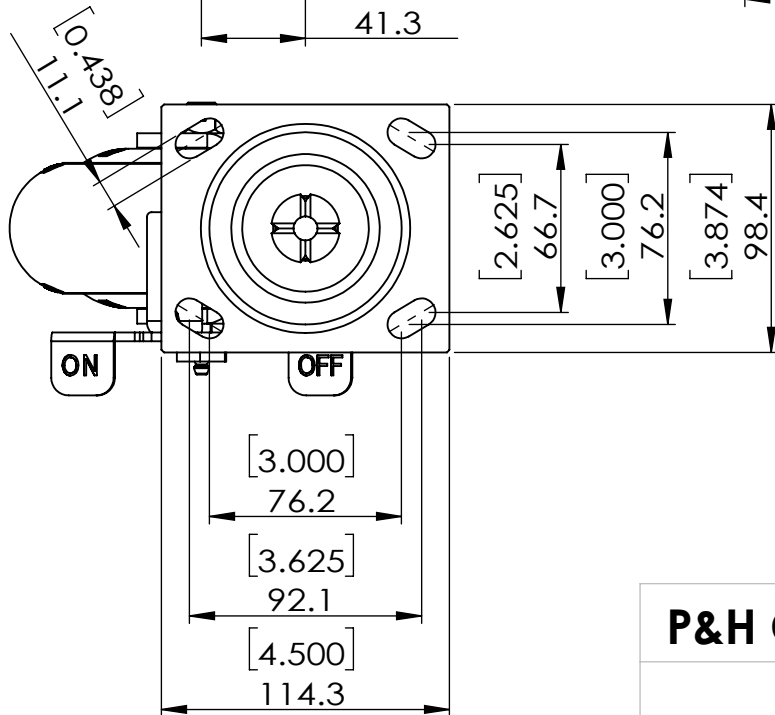
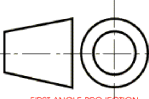


Durometer: Shore A70 (+/-5)
Wheel P/N: WK4062G86



Load capacity: 450 lbs Dimensions in mm [in]

P&H Casters	Scale: 1:3	Weight (lbs): 5.5	Drawn By: Hua	Date: 2024/9/12
Description: CASTER			Reviewed By: Andy	 FIRST ANGLE PROJECTION
Part Number: N40P362KGNZQK	Revision: REV A	Sheet: 01	Date: 2024/9/12	