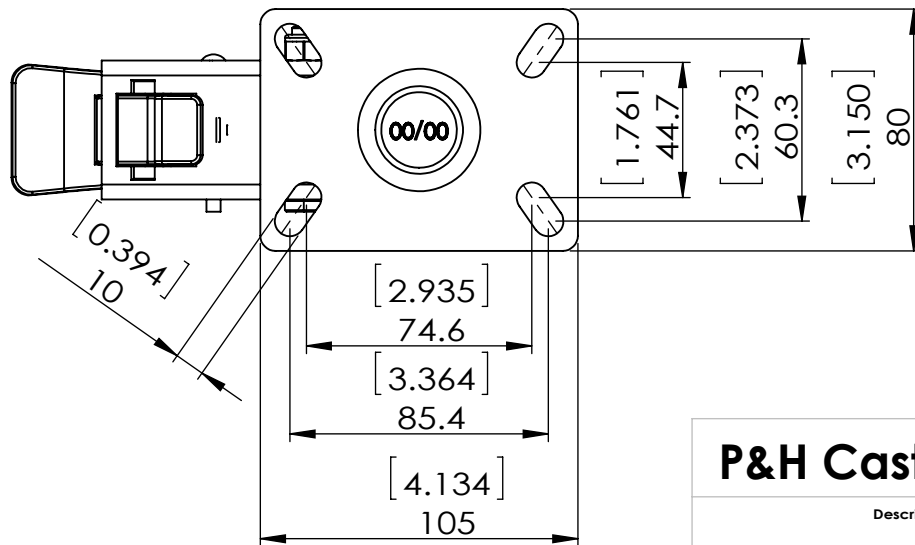


Durometer: Shore D 46 (+/-5)



Dimensions in mm [ in ]

<b>P&amp;H Casters</b>		Scale	<b>1:2.5</b>	Volume ( mm <sup>3</sup> )	Drawn By:	Date
Description		CASTER		Reviewed By:		2020/02/18
Part Number	Revision	Sheet	Date	FIRST ANGLE PROJECTION		
Z20P254CLGEID	REV A	<b>01</b>	2020/02/18			