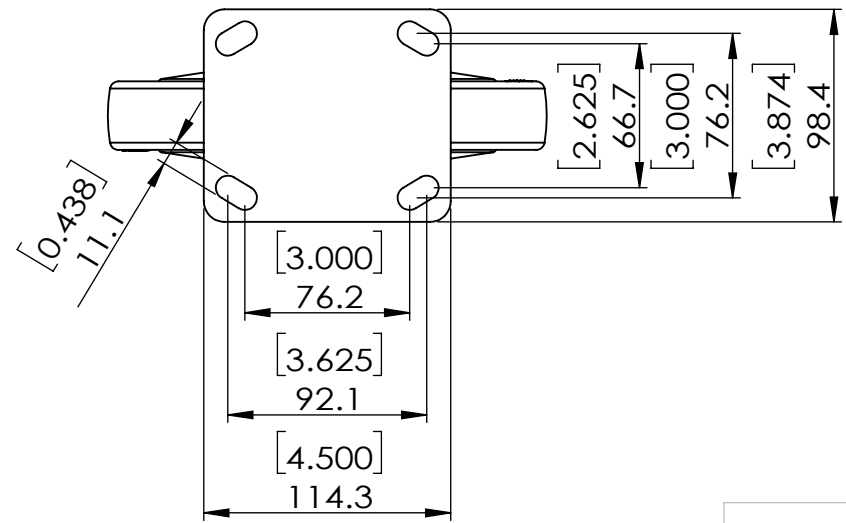
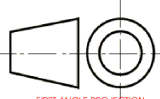


Durometer: Shore D46 (+/-5)
Wheel P/N: WC2684TK



Dimensions in mm [in]

P&H Casters	Scale: 1:3.5	Weight (lbs): 1.9	Drawn By: Hua	Date: 2024/10/8
Description: CASTER			Reviewed By: Andy	 FIRST ANGLE PROJECTION
Part Number: Z27P384CTKI	Revision: REV A	Sheet: 01	Date: 2024/10/8	