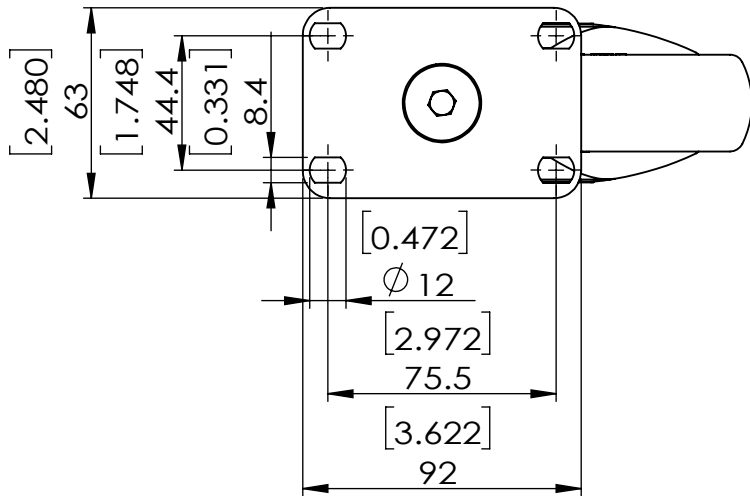


Durometer: Shore A70 (+/-5)
 Wheel P/N: WN20DBW3W2



Dimensions in mm [in]

P&H Casters	Scale: 1:2.5	Weight (lbs): 1.6	Drawn By: Hua	Date: 2024/10/9
Description: CASTER			Reviewed By: Andy	 FIRST ANGLE PROJECTION
Part Number: P25P1DBN53XWY	Revision: REV A	Sheet: 01	Date: 2024/10/9	