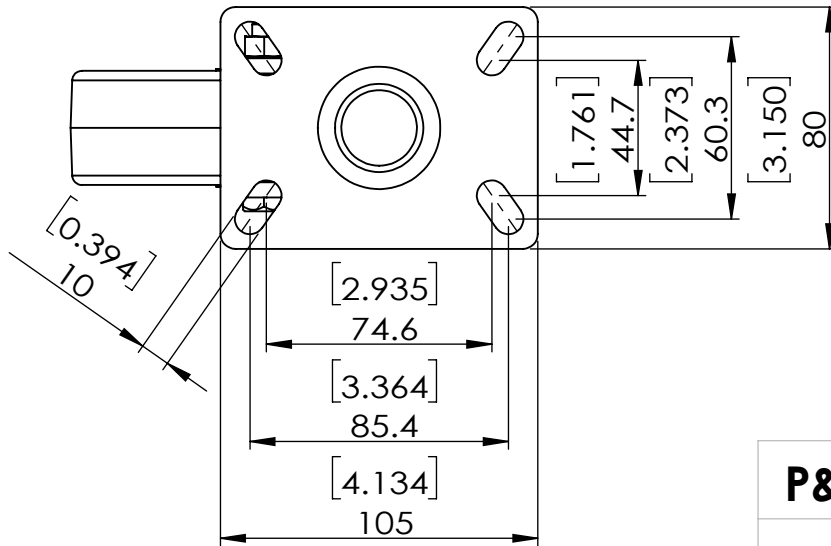


Durometer: Shore D90 (+/-5)  
 Wheel P/N: 55-171M-B



Dimensions in mm [ in ]

<b>P&amp;H Casters</b>	Scale: <b>1:2.5</b>	Weight ( lbs): 2	Drawn By: Hua	Date: 2024/10/25
Description: CASTER			Reviewed By: Andy	
Part Number: T26P253HBDFF	Revision: REV A	Sheet: <b>01</b>	Date: 2024/10/25	