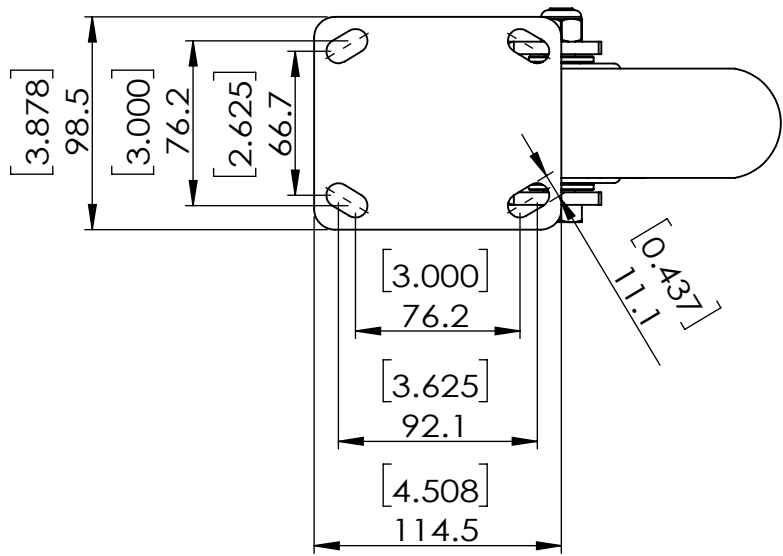


Durometer: Shore A87 (+/-5)
 Wheel P/N: W850820URC



Dimensions in mm [in]

P&H Casters	Scale: 1:3.5	Weight (lbs): 9.3	Drawn By: Ronny	Date: 2024/06/19
Description: CASTER			Reviewed By: Andy	
Part Number: X50P38280ULBG	Revision: REV A	Sheet: 01	Date: 2024/06/19	