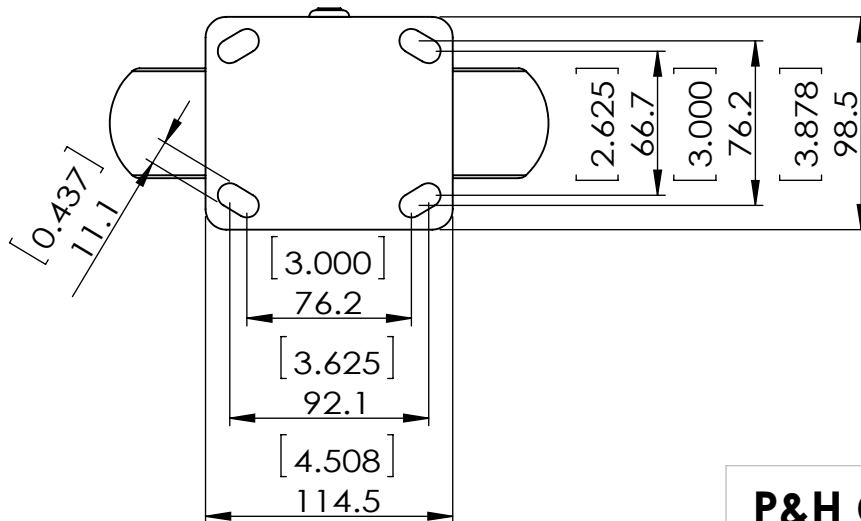


Durometer: Shore A 87 (+/-5)



Dimensions in mm [in]

P&H Casters		Scale	1:3.5	Volume (mm ³)	Drawn By:	Date
Description		CASTER		Reviewed By:		 <small>FIRST ANGLE PROJECTION</small>
Part Number	Revision	Sheet	Date	Date		
X52P38280ULBG	REV B	01	2023/08/15	2023/08/15		