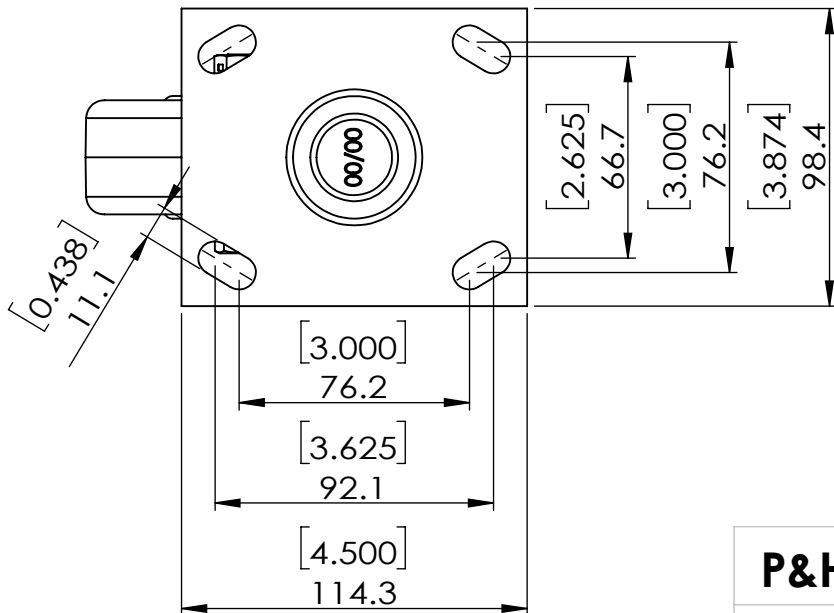
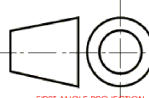


Durometer: Shore D90 (+/-5)
Wheel P/N: W12043NL



Dimensions in mm [in]

P&H Casters	Scale: 1:2.5	Weight (lbs): 1.7	Drawn By: Hua	Date: 2024/11/4
Description: CASTER			Reviewed By: Andy	 FIRST ANGLE PROJECTION
Part Number: Z20P3431NLHF REV A	Revision:	Sheet: 01	Date: 2024/11/4	