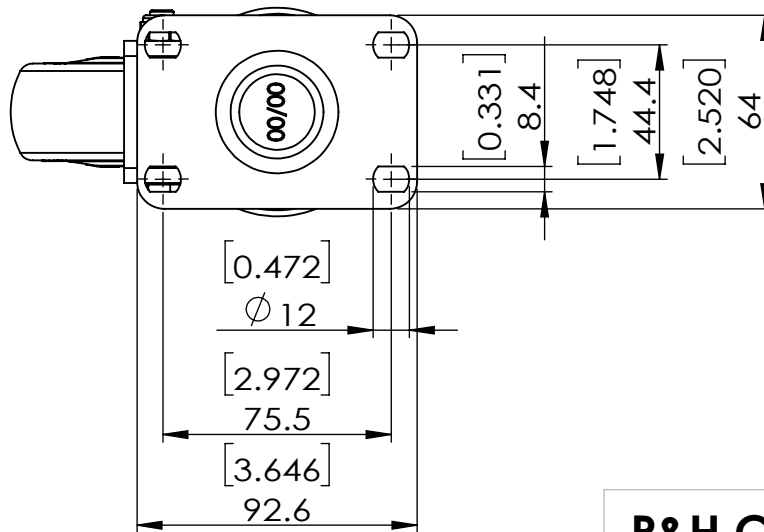


Durometer: Shore A85 (+/-5)  
 Wheel P/N: W620CBG3GL



Dimensions in mm [ in ]

<b>P&amp;H Casters</b>	Scale: <b>1:2.5</b>	Weight ( lbs): 1.9	Drawn By: Ronny	Date: 2024/07/03
Description: CASTER			Reviewed By: Andy	
Part Number: C26P1CB6G3U	Revision: REV A	Sheet: <b>01</b>	Date: 2024/07/03	