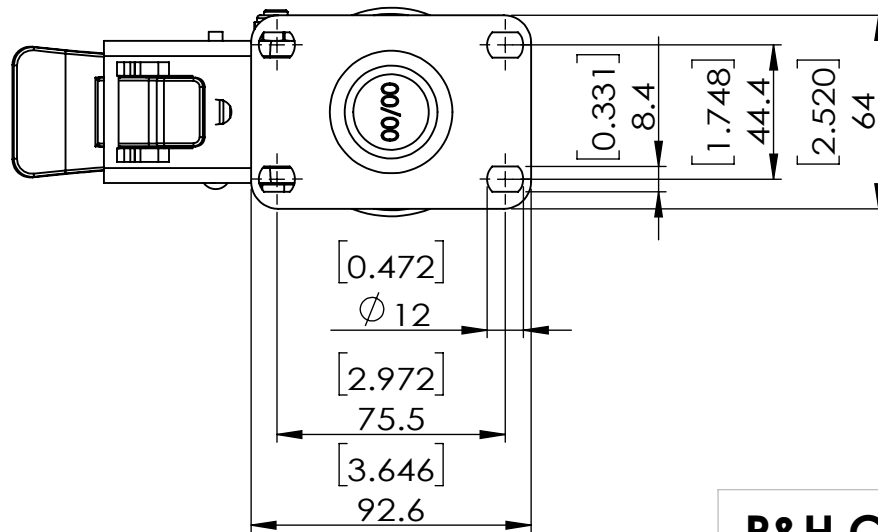
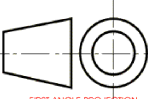


Durometer: Shore A85 (+/-5)
 Wheel P/N: W620CBG3GL



Dimensions in mm [in]

P&H Casters	Scale: 1:2.5	Weight (lbs): 2.1	Drawn By: Ronny	Date: 2024/07/03
Description: CASTER			Reviewed By: Andy	 <small>FIRST ANGLE PROJECTION</small>
Part Number: C26P1CB6G3UL	Revision: REV A	Sheet: 01	Date: 2024/07/03	